

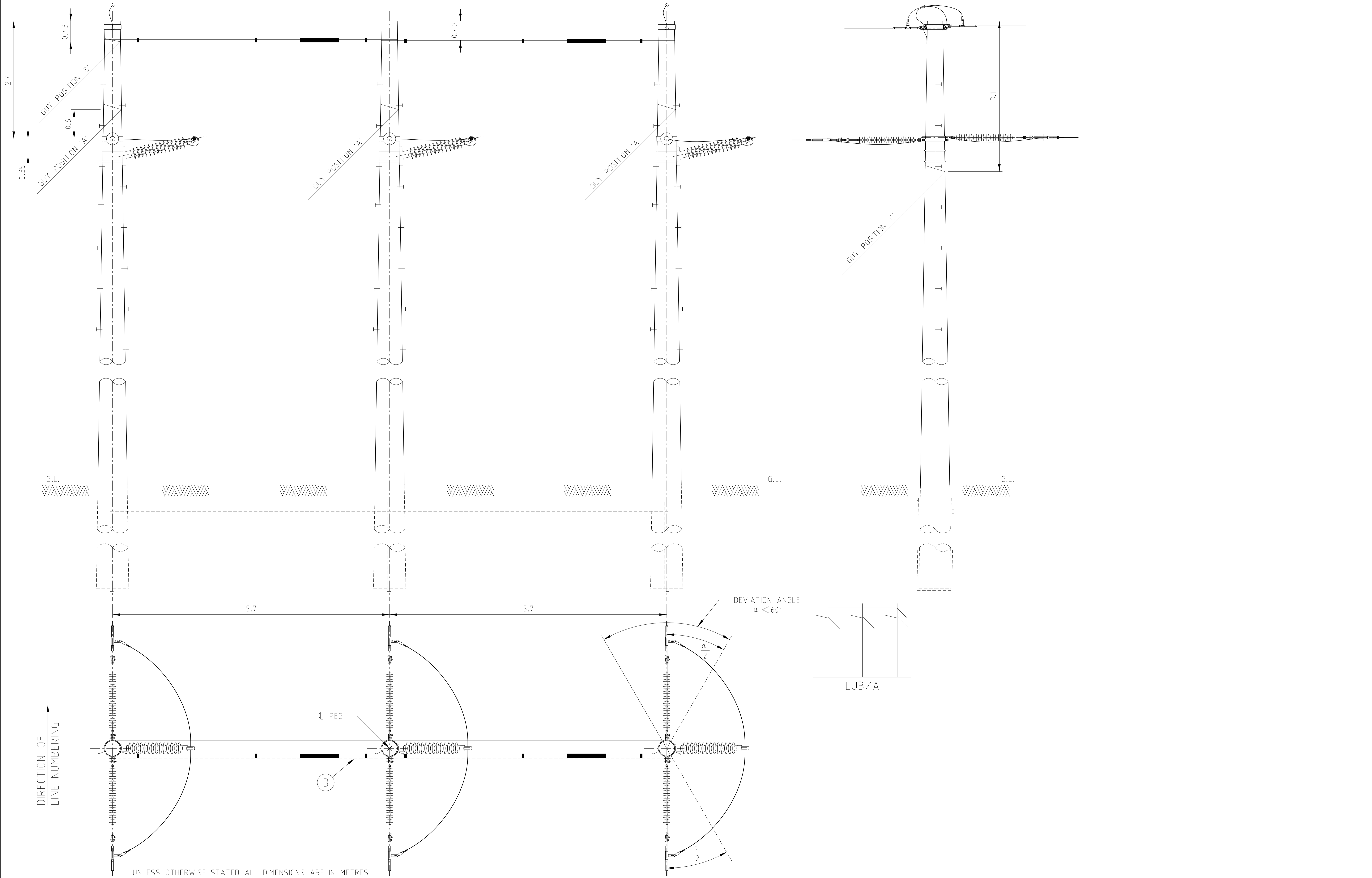
-200

-100

0

100

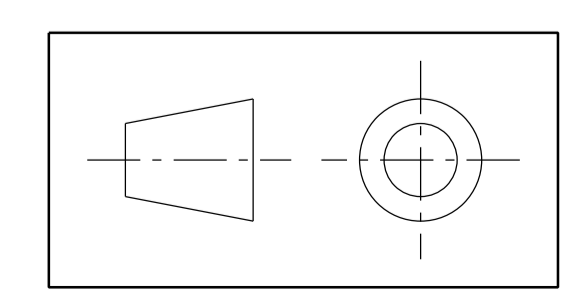
200



DIRECTION OF LINE NUMBERING

UNLESS OTHERWISE STATED ALL DIMENSIONS ARE IN METRES

AMENDMENT:



DRAWN	IMC	©TransGrid	
REVIEWED		TRANSMISSION LINES	
VERIFIED		CONCRETE POLE - 132KV	
APPROVED		TYPICAL SINGLE CIRCUIT	
FOR INFORMATION ONLY		THREE POLES TENSION STRUCTURE	
APPROVAL STATUS		GENERAL ARRANGEMENT	
SCALE	A2	TL-SK-003	A
REFERENCE DRAWINGS	INDEX	CLASS'N	AMDT
SUPERSEDES	TL-173760 REV L	SUPERSEDED BY	31-10

400x566

This drawing is copyright and is the property of TransGrid and is subject to the terms and conditions of TransGrid's Website

PLOT ISSUE DATE 19/04/2018 2:37:29 PM

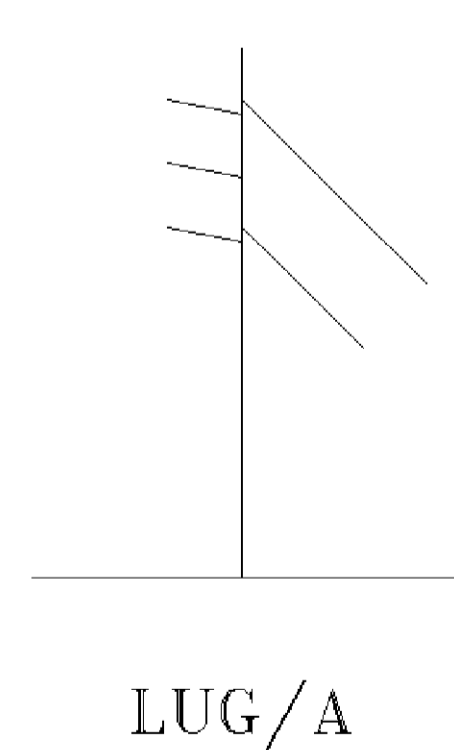
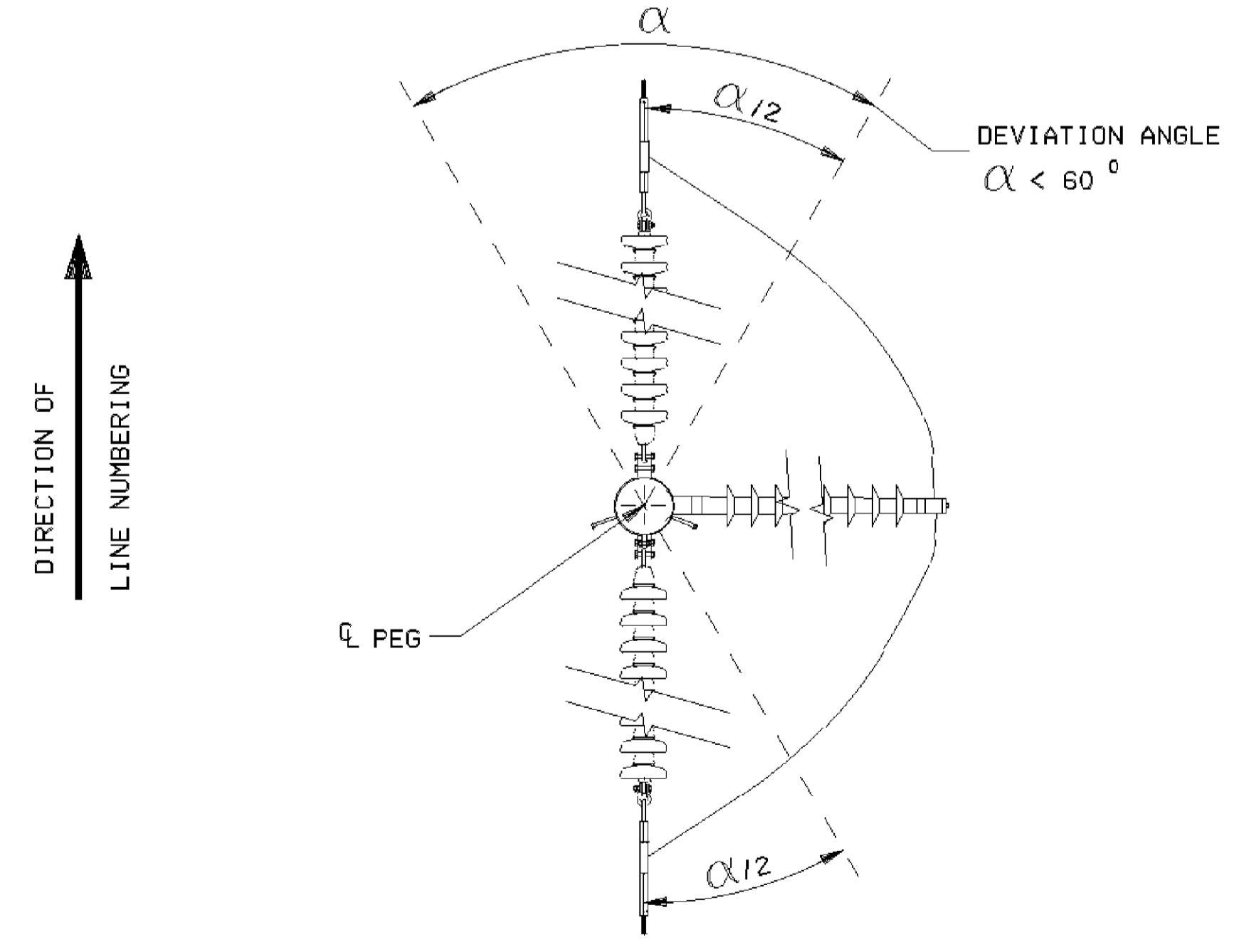
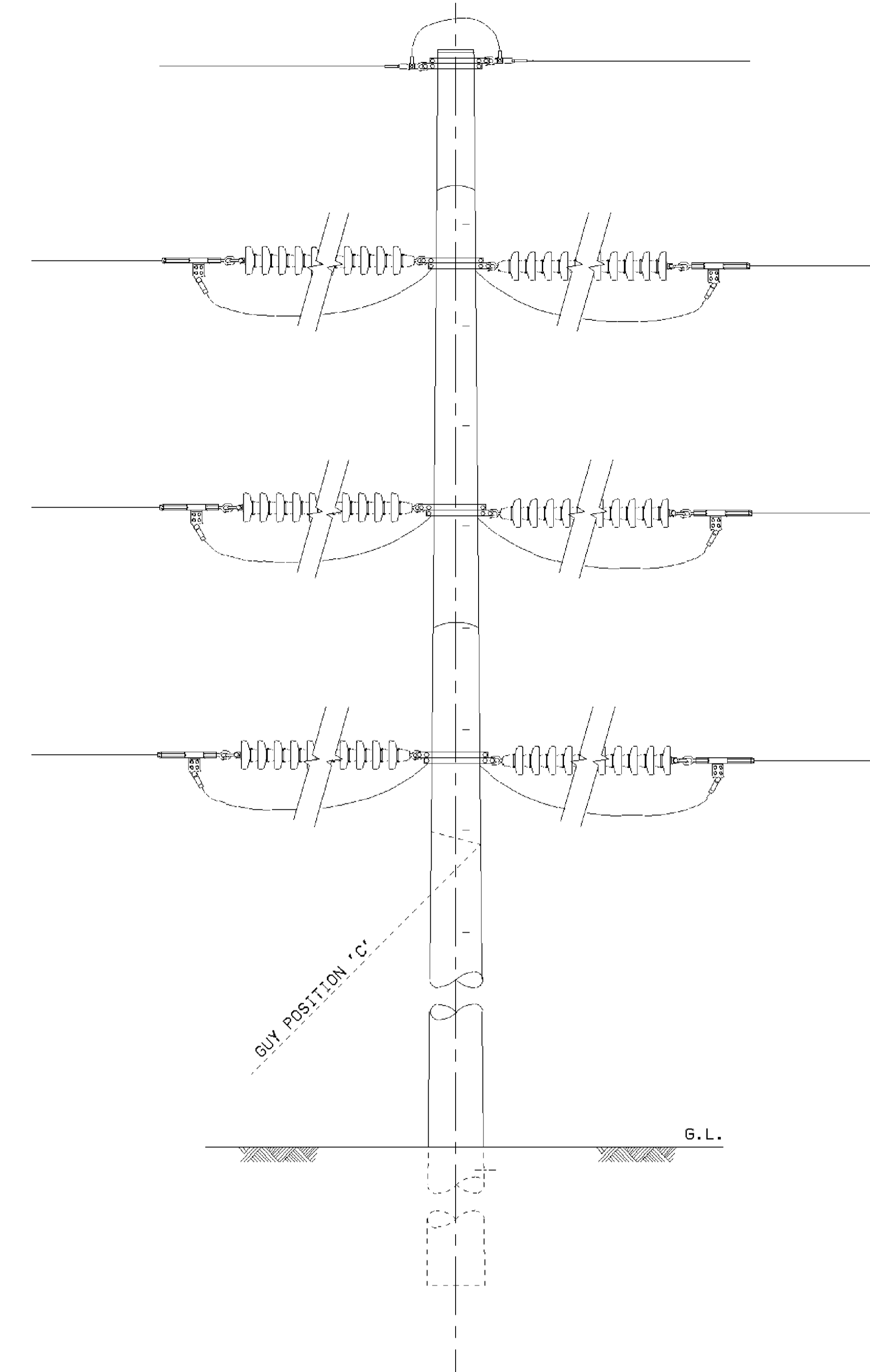
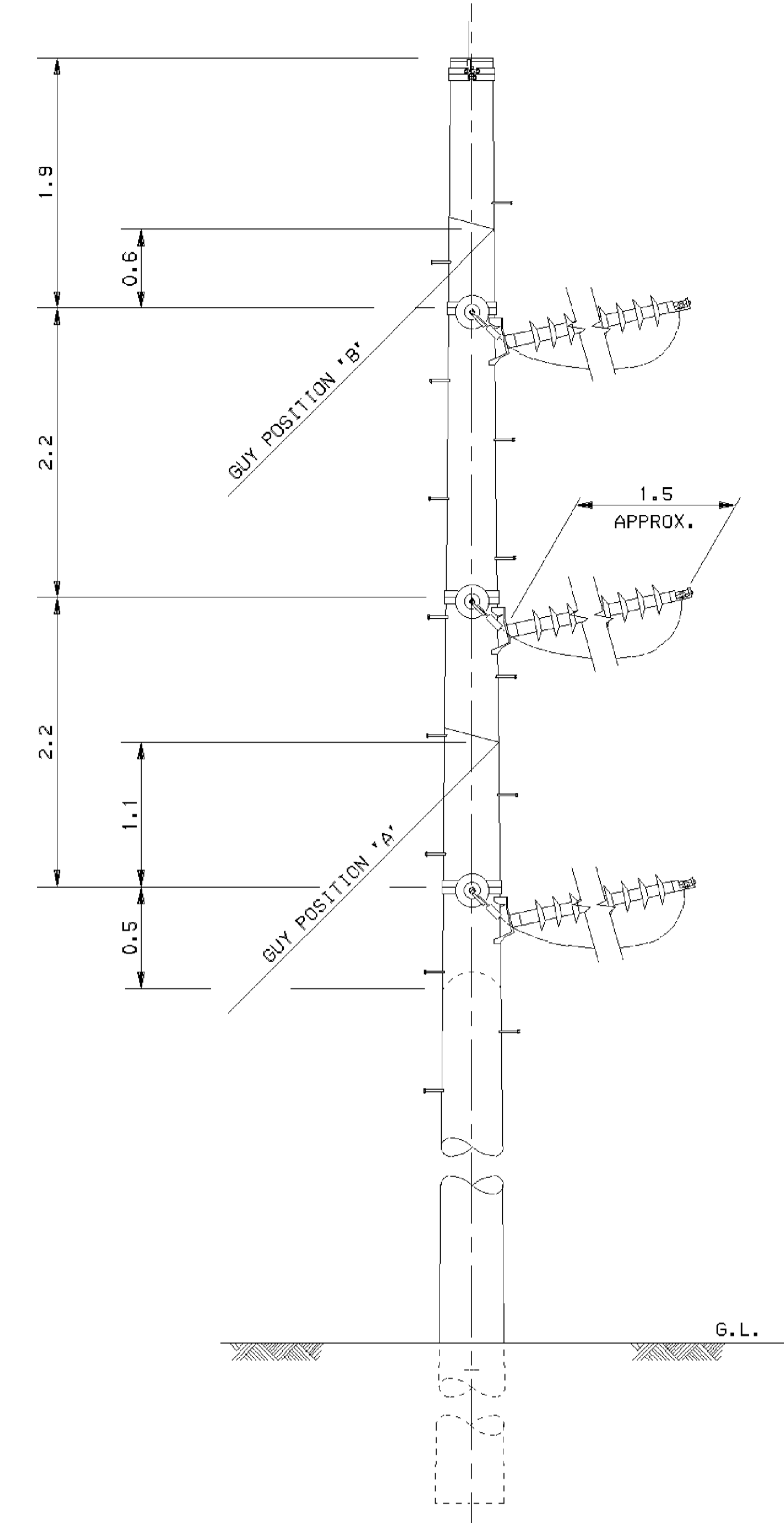
COPIED FROM

SUPERSEDES TL-173760 REV L

SUPERSEDED BY

INDEX CLASS'N

31-10



1ST ANGLE PROJECTION

AMENDMENT:



DRAWN	WLI	©TransGrid	
REVIEWED		TRANSMISSION LINES	
VERIFIED		132kV INSTALLATION	
APPROVED		TYPICAL SINGLE CIRCUIT	
FOR INFORMATION ONLY		SINGLE POLE TENSION STRUCTURE	
APPROVAL STATUS		GENERAL ARRANGEMENT	
SCALE	A2	TL-SK-004	A
REFERENCE DRAWINGS	INDEX	CLASS'N	INCLN