

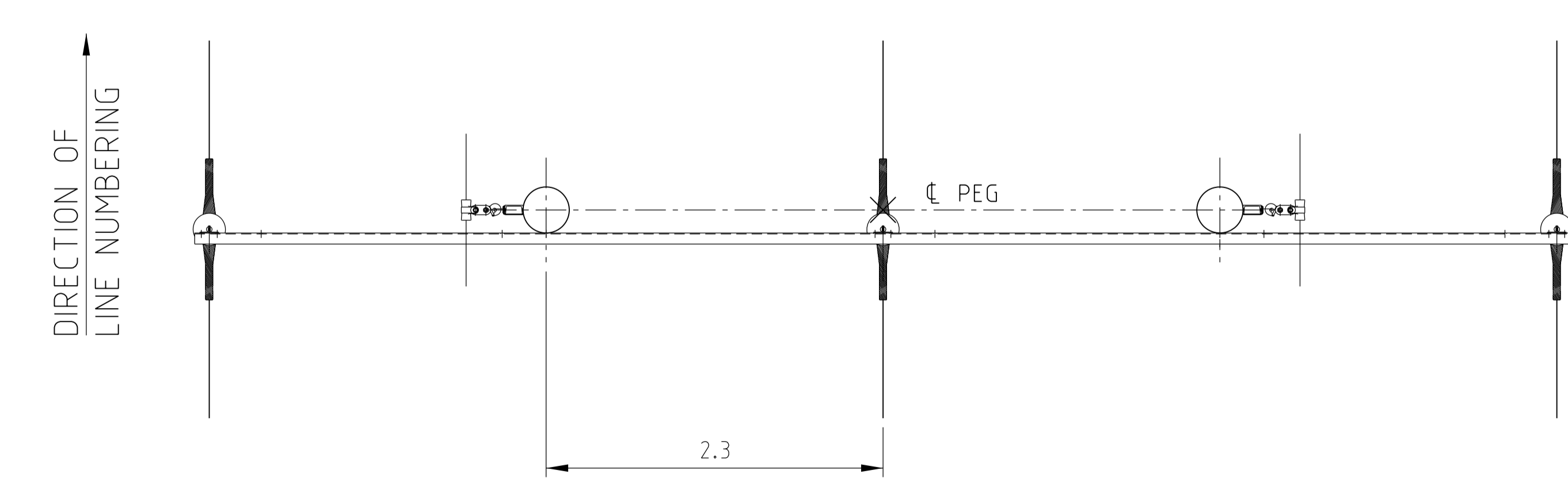
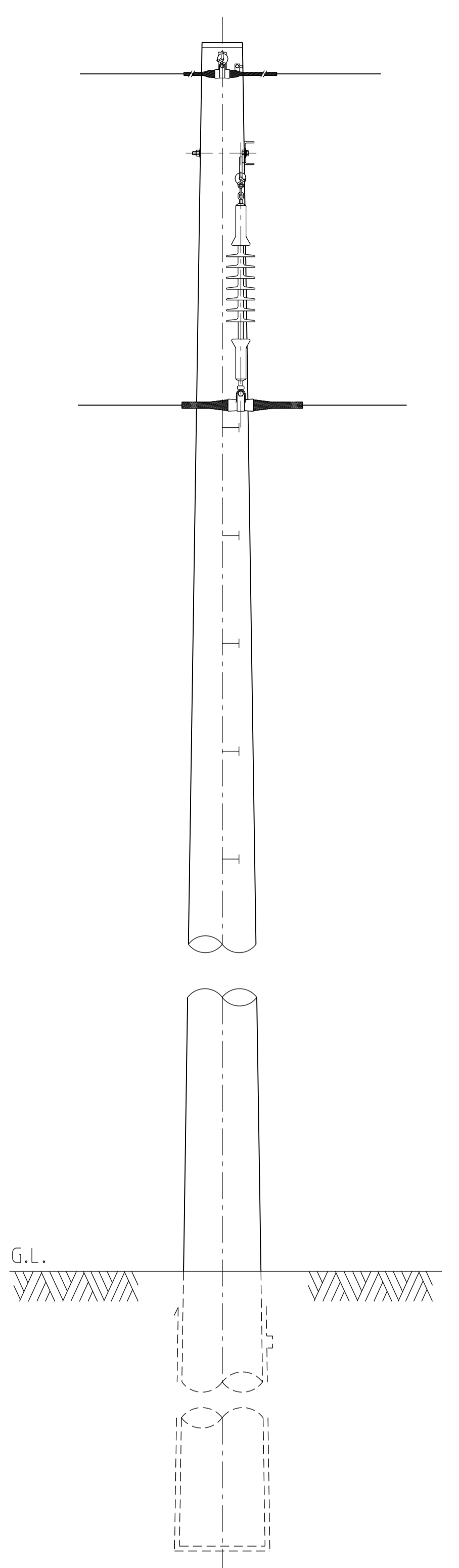
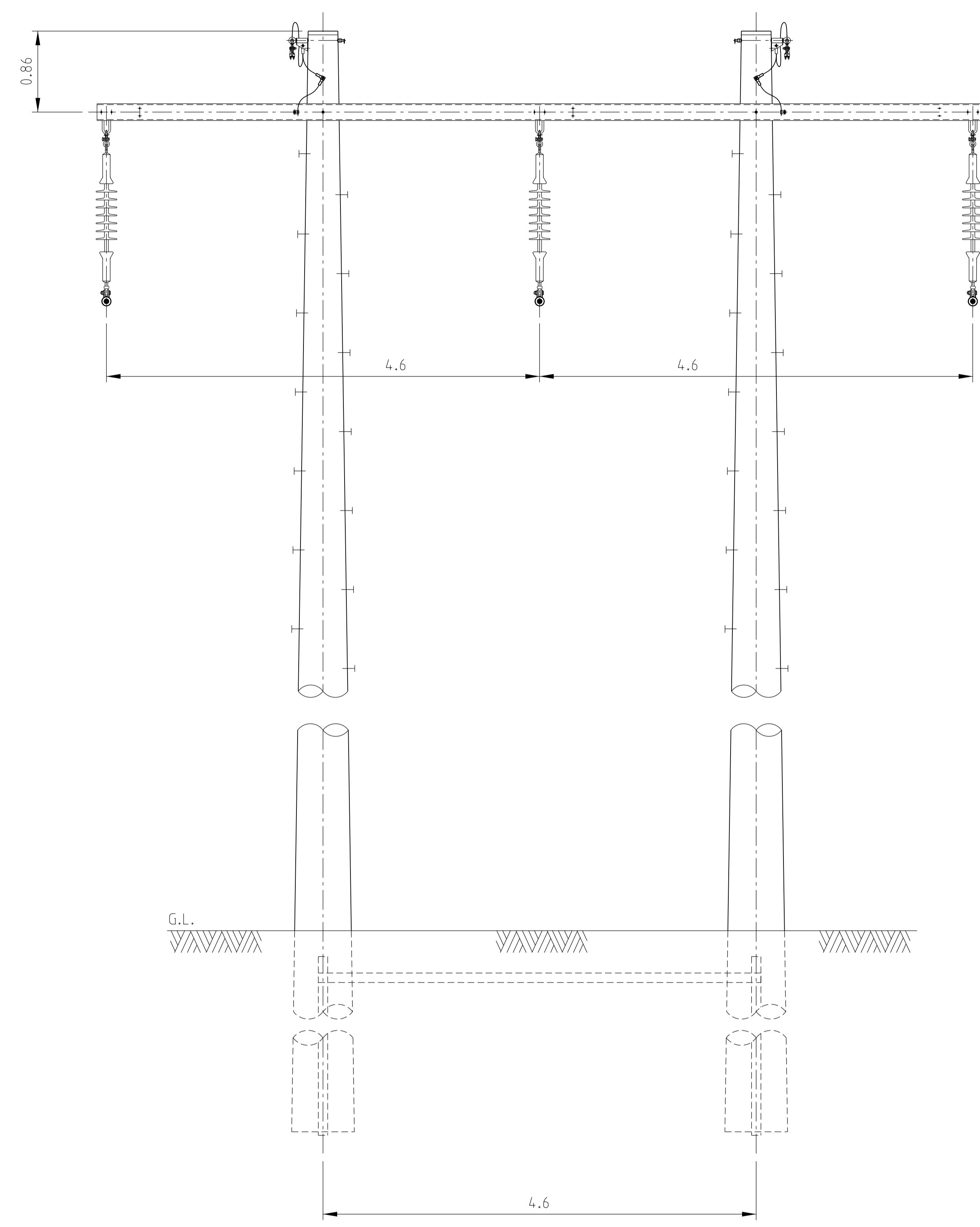
-200

-100

0

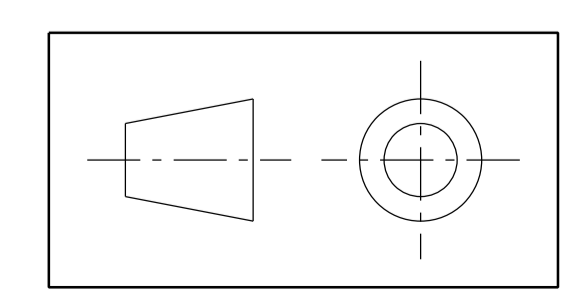
100

200



UNLESS OTHERWISE STATED ALL DIMENSIONS ARE IN METRES

AMENDMENT:



DRAWN	IMC
REVIEWED	
VERIFIED	
APPROVED	

©TransGrid  
 TRANSMISSION LINES  
 CONCRETE POLE - 132KV  
 TYPICAL SINGLE CIRCUIT  
 TWO POLE SUSPENSION STRUCTURE  
 GENERAL ARRANGEMENT

FOR INFORMATION ONLY  
 APPROVAL STATUS  
 SCALE 150

A2	TL-SK-001	A
PREFIX	NUMBER	SHEET
INDEX	CLASS'N	AMDT

400x566

This drawing is copyright and is the property of TransGrid and is subject to the terms and conditions of TransGrid's Website

PLOT ISSUE DATE 19/04/2018 11:33:08 AM

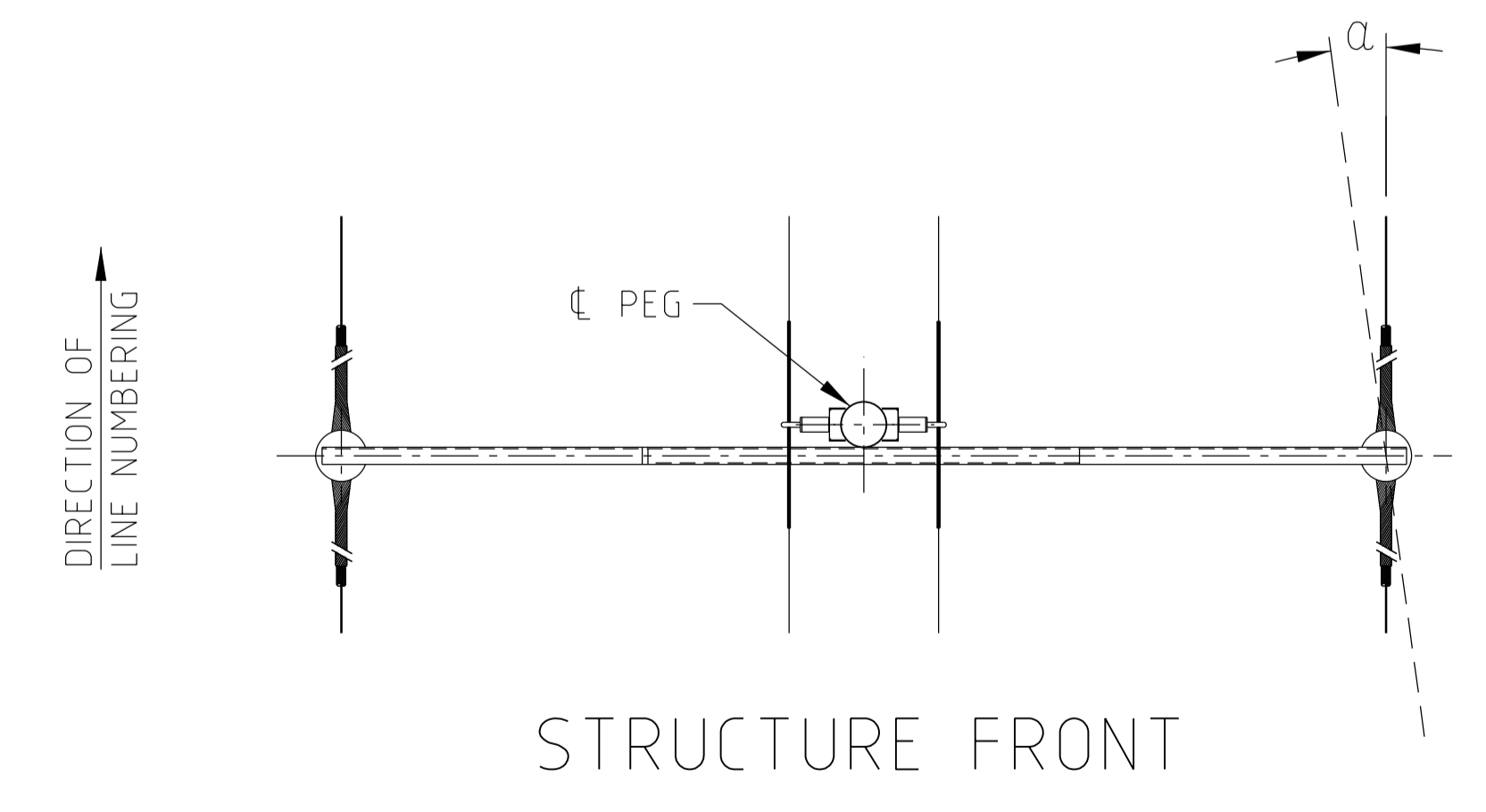
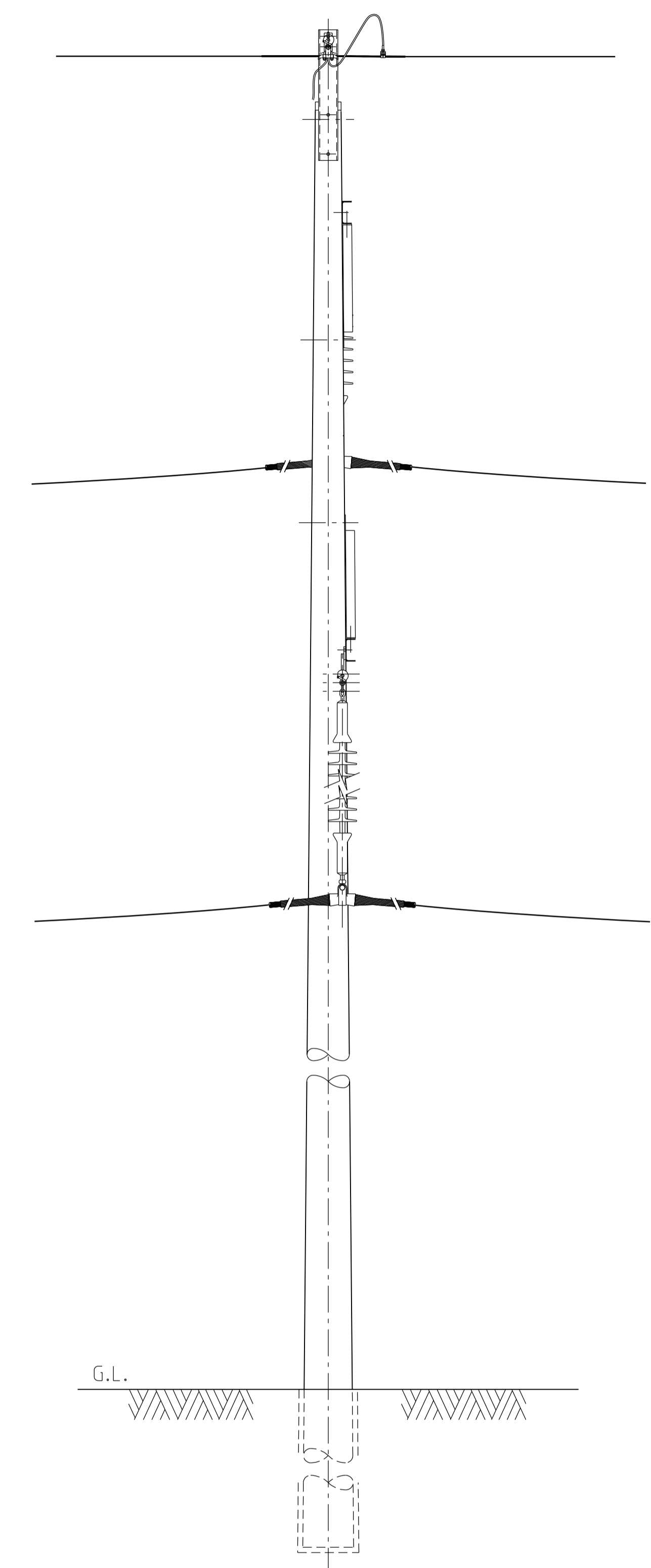
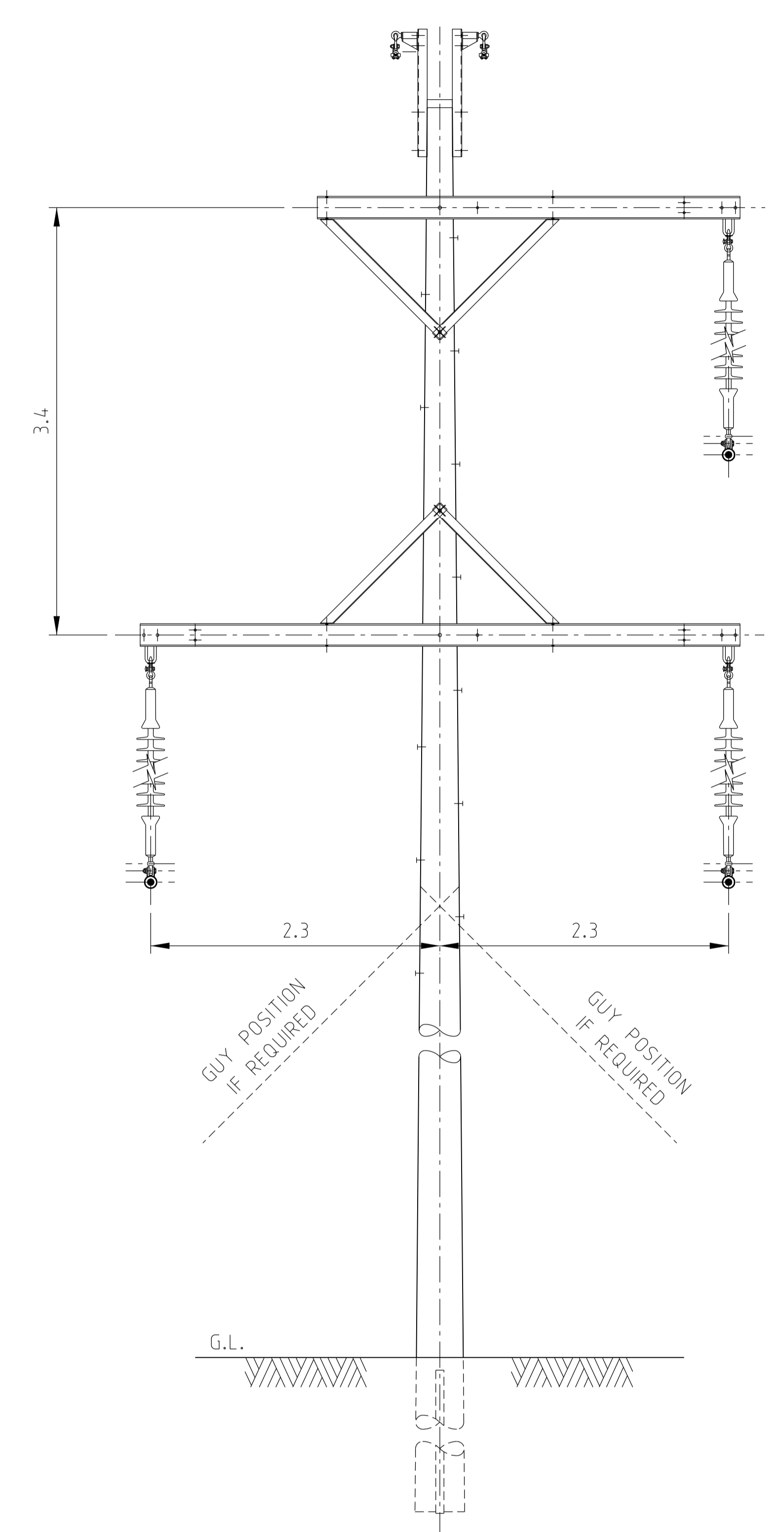
COPIED FROM

SUPERSEDES

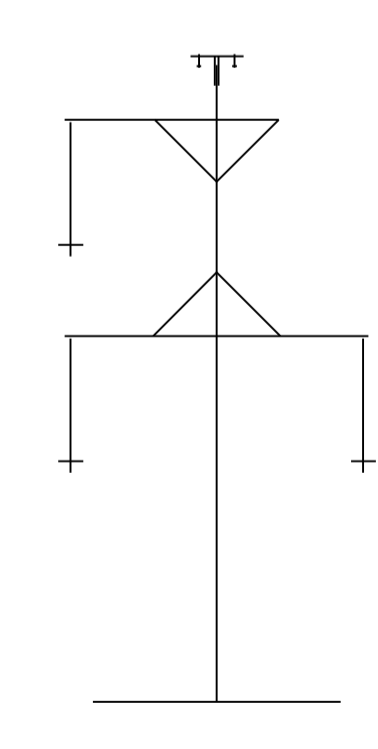
SUPERSEDED BY

INDEX CLASS'N

31-10



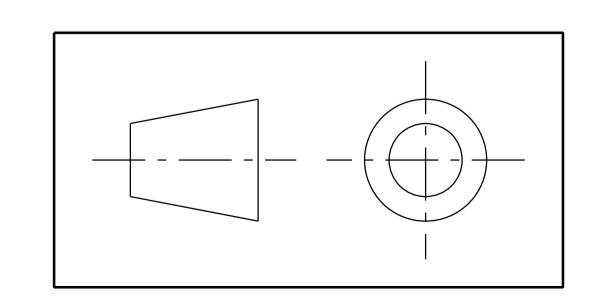
STRUCTURE FRONT



LRK/2A

UNLESS NOTED OTHERWISE ALL DIMENSIONS ARE IN METRES

AMENDMENT:



DRAWN	GDT	©TransGrid	
REVIEWED		TRANSMISSION LINES	
VERIFIED		132KV INSTALLATION	
APPROVED		TYPICAL SINGLE CIRCUIT	
FOR INFORMATION ONLY		SINGLE POLE SUSPENSION STRUCTURE	
APPROVAL STATUS		GENERAL ARRANGEMENT	
SCALE	A2	TL-SK-002	A
REFERENCE DRAWINGS		PREFIX NUMBER SHEET	AMDT
SUPERSEDES	SUPERSEDED BY	INDEX CLASS'N	31-10